

# Hunter HDMI 4K HDMI Splitter 1x10

## USER MANUAL



www.hunterpharad.com

## Product Introduction

Hunter HDMI 1x10 HDMI Splitter uses a single HDMI source, accessing to ten HDMI sinks. It allows one HDMI device to be split easily to ten HDMI compatible monitors or projectors. In addition, it can be placed at the end of a long HDMI cable to regenerate the HDMI signal. The resolution of this HDMI splitter can be up to 3840x2160/30Hz, supports EDID management function, comes with ten kinds of EDID mode, the users can choose according to their own needs. In addition, this product is also built-in IR extension function, can work with our HDMI repeater which has IR-RX receiving the IR command to control the source.

## Features

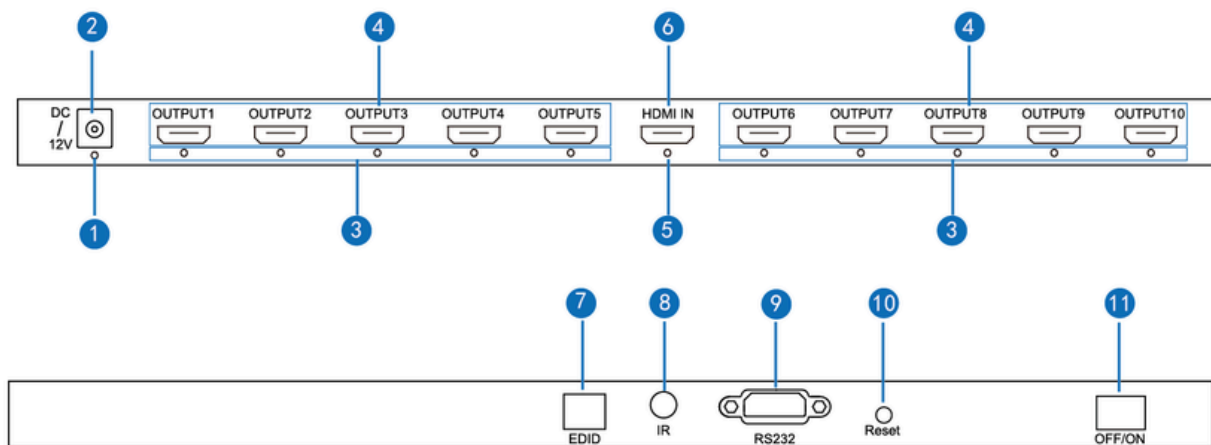


- Support HDMI 1.4b, HDCP1.4
- Support 3D video format
- Support CEC (only output1)
- Support high resolution up to 3840X2160/30Hz
- Support highest rate of 3.4G and TMDS clock can be up to 340 MHz
- Support 8/10/12 bit deep color
- Support AWG26 HDMI standard cable, input up to 5 meters, output up to 10 meters.
- Support one single HDMI source, accessing to multiple HDMI sinks, the source can be DVD player, A/V receiver, set top box and etc.
- Built-in IR extension function (via the IR-RX of HDMI repeater to control the HDMI sources)
- Support serial port online upgrade
- Support EDID management
- 12V/2A power adapter

# 4K

## Specifications

HDMI version	HDMI 1.4b
HDCP version	HDCP 1.4
HDMI resolution	up to 3840x2160/30Hz
Support video format	8/10/12bit Deep color
Support audio format	DTS-HD/Dolby-trueHD/DTS/Dolby-AC3/DSD
Max bandwidth	340MHz
Max <u>baud</u> rate	3.4Gbps
Input cable distance	≤5m AWG26 HDMI standard cable
Output cable distance	≤10m AWG26 HDMI standard cable
Max working current	1.4 A
Power adapter format input AC	(50HZ, 60HZ) 100V-240V; output: DC12V/2A
Operating Temperature range	(-15°C to +55°C)
Dimension (L x W x H)	375x89x22(mm)
Weight	780g



1. Power adapter indicator
2. 12V Power Interface
3. LED Output indicator
4. HDMI output
5. LED Input Indicator
6. HDMI input
7. DIP switch, using for EDID management
8. IR TX Expansion Interface
9. RS232 port
10. Reset button
11. Power switch



## EDID Settings

Position1	Position2	Position 3	Position 4	Function
X	0	0	0	Copy EDID from Output1 compatible with minimum resolution of the TV display
X	0	0	1	4Kx2K(YUV420)
X	0	0	1	4k 30Hz 5.1ch
X	0	1	1	4k 30Hz 2ch
X	1	0	1	1080P 3D 2ch
X	1	1	0	1080P 2D 2ch
X	1	1	1	1080P 2D 5.1ch

1 is used for upgrades, 1 is upgrading mode, 0 is normal operation mode

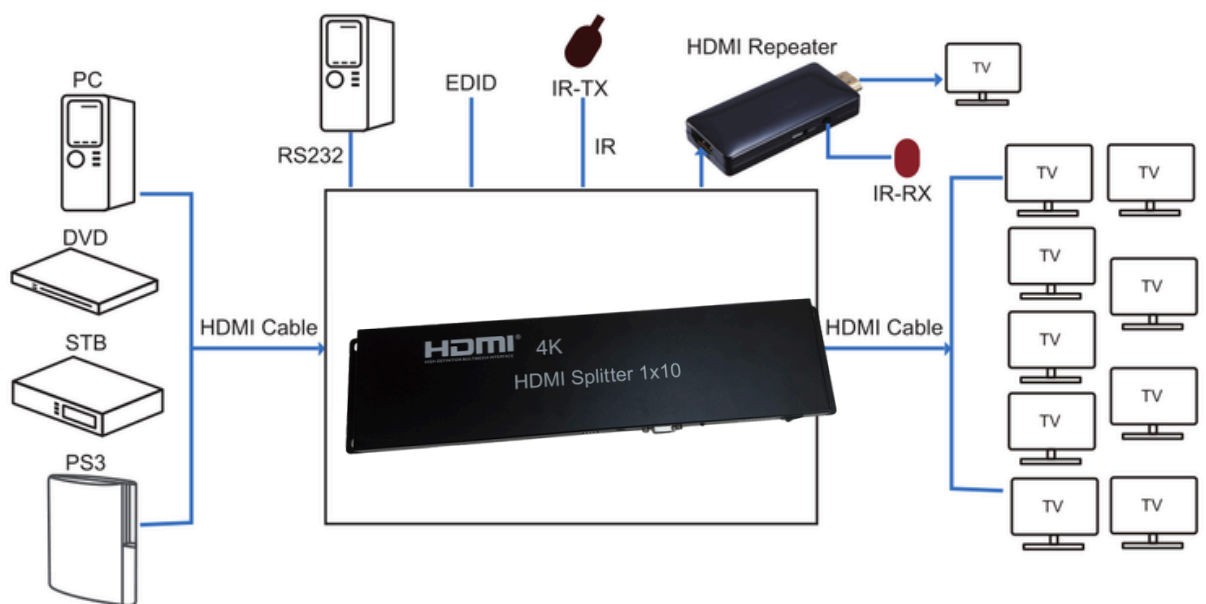
### Working Mode Description:

There are two working modes for product, normal operating mode and upgrade mode, which is decided by DIP EDID switch 1, 1 is upgrade mode, 0 is normal operating mode.

### IR extension description:

There is an IR TX Extension port, it can work with an optional HDMI repeater which works as IR-RX and IR extended via HDMI cable.

## Connection Diagram



- 1: connect the HD source to the splitter input with one HDMI cable
- 2: connect the splitter output to the displays with 10 HDMI cables
- 3: connect 12V/2A power adapter to the splitter
4. Reset button: it's a Reset key for system Reset.

## Warranty 1 Year



If your product does not work properly because of a defect in materials or workmanship, our Company (warrantor) will, for the length of the period indicated as 1 Years, which starts with the date of original purchase ("Limited Warranty period"), at its option either (a) repair your product with new or refurbished parts, or (b) replace it with a new or a refurbished product. The decision to repair or replace will be made by the warrantor.

During the "Labor" Limited Warranty period there will be no charge for labor.

During the "Parts" warranty period, there will be no charge for parts. You must mail-in your product during the warranty period. This Limited Warranty is extended only to the original purchaser and only covers product purchased as new. A purchase receipt or other proof of original purchase date is required for Limited Warranty service.